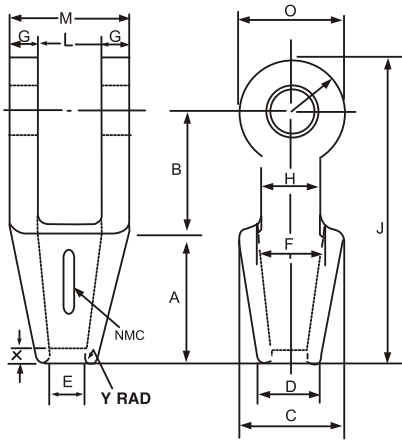
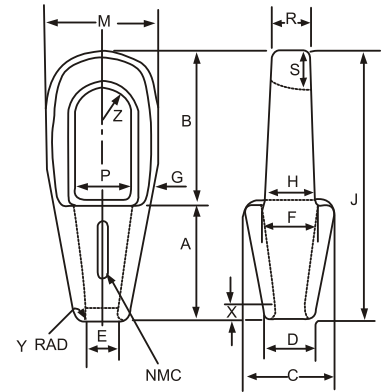


# WHITE METAL SOCKET



**OPEN TYPE SOCKET**



**CLOSED TYPE SOCKET**

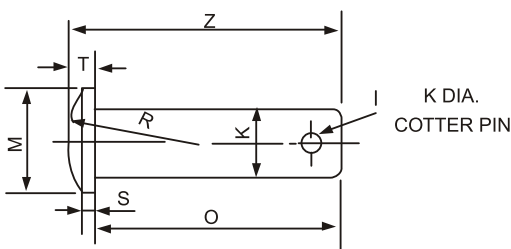
## Dimensions of Open Type Socket

Nominal Dia of Rope	A	B	C	D DIA	E DIA	F DIA	G	H	J	L	M	O	X	Y RAD	Proof Load in Ton
12	60.3	52.3	44.4	23.8	15.1	25.4	9.5	22.2	135.0	28.6	47.6	44.4	6.3	1.2	3
16	69.8	63.5	50.8	28.5	18.3	31.8	13.5	27.0	158.8	31.7	58.7	50.8	7.9	1.6	6
19	76.2	66.7	61.9	33.3	21.4	38.1	15.9	33.3	174.6	38.1	69.9	63.5	9.5	2.0	9
22	85.7	76.2	69.8	41.2	25.4	44.4	17.5	39.7	196.9	42.8	77.8	69.9	11.1	2.4	12
25	104.8	88.9	82.5	49.2	26.6	50.8	20.6	46.0	236.5	47.6	88.9	85.7	12.7	2.4	15
29	114.3	101.9	92.0	57.1	31.8	57.1	21.5	50.0	261.9	50.7	93.7	92.0	14.2	2.8	24

## Dimensions of Closed Type Socket

Nominal Dia of Rope	A	B	C	D DIA	E DIA	F DIA	G MIN	H	J	M	P	R	S	X	Y RAD	Z RAD	Proof Load in Ton
12	60.3	76.2	44.4	23.7	15.1	25.4	8.7	22.2	136.5	53.9	23.8	17.4	17.4	6.3	1.2	11.9	3
16	69.9	88.9	50.8	28.5	18.3	31.8	11.1	27.0	158.7	63.5	31.8	20.6	19.0	7.9	1.6	15.9	6
19	76.2	101.8	61.9	33.3	21.4	28.1	12.7	33.3	177.8	74.6	38.1	25.4	23.8	9.5	2.0	19.0	9
22	85.7	114.3	69.8	41.2	25.4	44.5	14.3	39.7	200.0	84.1	44.5	28.6	25.4	11.1	2.4	22.2	12
25	104.8	130.2	82.5	49.2	28.6	50.8	17.5	46.0	234.9	100.0	50.8	35.0	28.6	12.7	2.4	25.4	15
29	114.3	142.9	92.0	57.1	31.8	57.1	19.0	50.8	257.1	114.3	57.0	38.1	31.8	14.3	2.8	29.0	24

## Dimensions of Pin for Sockets



**PIN FOR SOCKETS**

Nominal Dia of Rope	K DIA	Q	R RAD	S	T	W	Z	K
12	20.6	61.9	41.2	3.1	5.5	25.4	80.9	3
16	23.8	74.6	47.6	3.9	6.3	30.1	80.9	4
19	28.6	85.7	57.5	4.7	7.1	36.5	92.8	5
22	31.7	95.3	63.5	4.7	7.9	39.6	103.1	5
25	38.1	109.5	76.2	5.5	9.5	47.6	119.0	6
29	41.3	114.3	82.5	6.3	11.1	52.3	125.4	6

(Dimensions in mm)



## NANDA MILLAR CO.

Office : 32A, Chittaranjan Avenue, 2nd Floor, Kolkata-700 012. India. Tel : +91 33 2212 3530 / 3531 / 1783  
 Fax : +91 33 2212 2070. E-mail : nmc@nandagroup.com, nmcjp@hotmail.com. URL : www.nandagroup.com



An ISO 9001 : 2000 Registered Company