



ALUMINIUM COUPLING

STYLE 77A

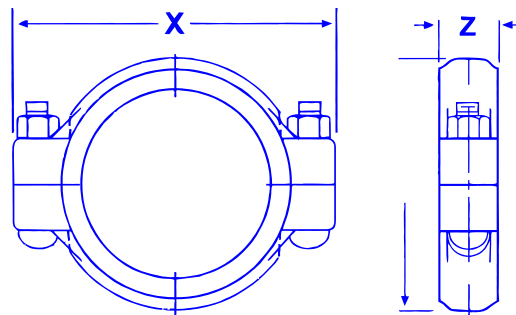
DESCRIPTION AND APPLICATION

High strength, heat treated aluminum alloy gives aluminum Couplings toughness and strength with much less weight. Combined with the line of aluminum Grooved fittings aluminum Couplings can be used to eliminate excess weight

MATERIAL SPECIFICATIONS

Housing : Aluminium Alloy 356, T-6 heat treated.

Bolts : Oval Neck track bolts and heavy hex nuts per ANSI B18, 10 and B18.2.2. Minimum tensile 7745 BAR, ASTM A 183, Zinc electroplated.



COUPLING SIZE INCHES	PIPE OUTSIDE DIAMETER mm	WORKING PRESSURE BAR	COUPLING DIMENSIONS mm			BOLT DIMENSIONS		APPROX WEIGHT EACH KGS
			WIDTH X	HEIGHT Y	DEPTH Z	NO.	Dia x Length inch mm	
1	33.4	34	98.4	60	45	2	3/8 x 50.0	0.30
1½	48.3	34	127	76	45	2	1/2 X 63.0	0.50
2	60.3	34	143	92	45	2	1/2 X 63.0	0.60
2½	73.0	34	158	107	45	2	1/2 X 70.0	0.67
2½	76.2	34	158	107	45	2	1/2 X 70.0	0.70
3	88.9	34	178	127	45	2	1/2 X 70.0	0.80
4	114.3	34	216	162	51	2	5/8 X 83.0	1.35
5	141.3	34	260	194	51	2	3/4 X 108.0	2.30
6	168.3	34	292	228	51	2	3/4 X 108.0	2.70
8	219.1	25	350	276	60	2	3/4 X 127.0	4.30
8	230.0	25	350	276	60	2	3/4 X 127.0	4.40
10	273.0	15	420	350	63	2	3/4 X 127.0	4.50
12	323.9	15	470	402	68	2	3/4 X 127.0	8.50

13/38A/08